

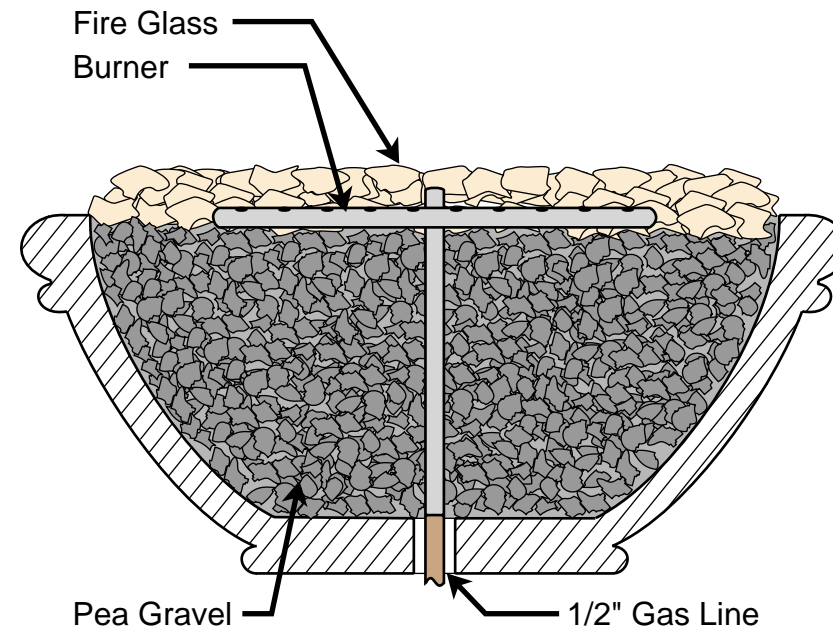


## Manual Installation Instructions

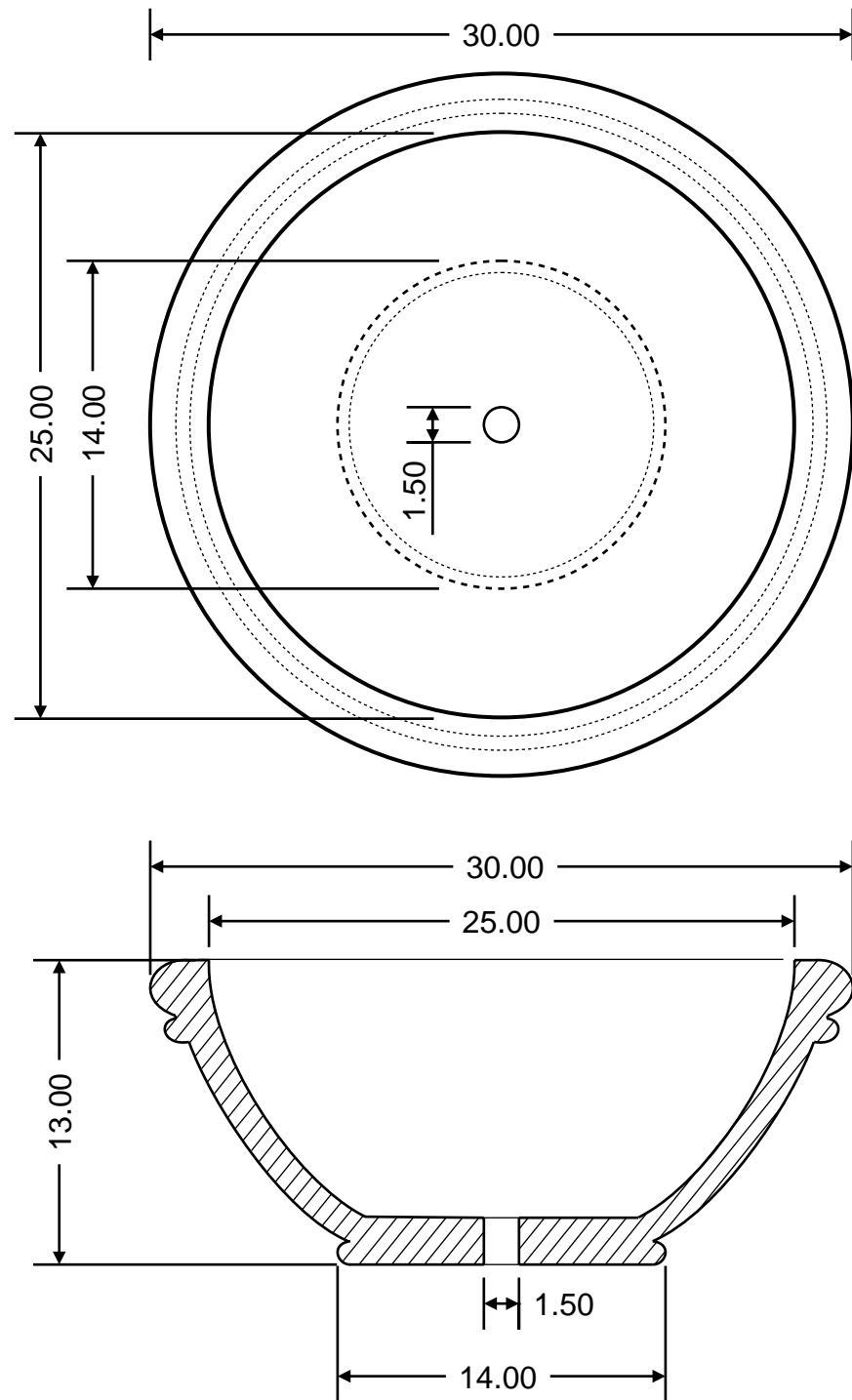
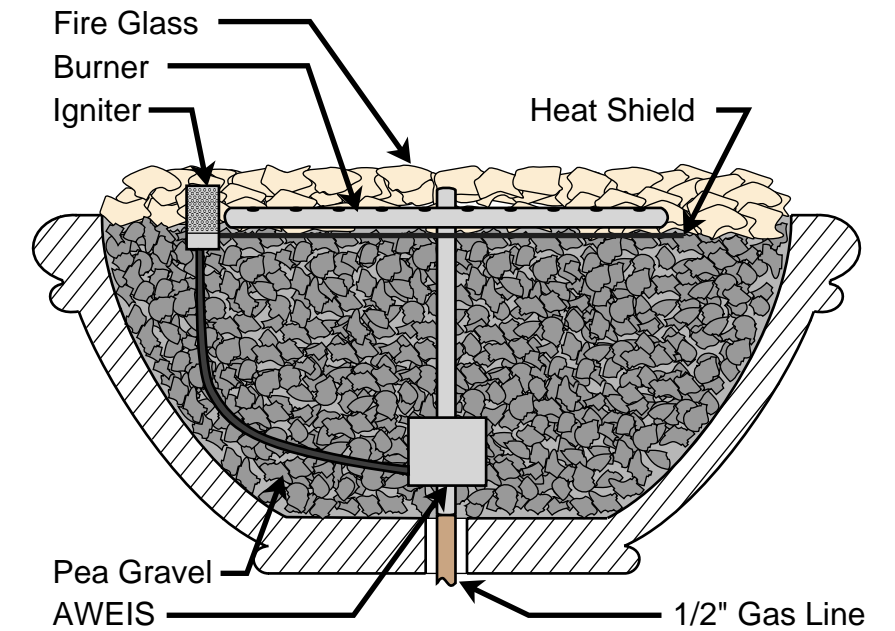
**Note:** The Fire Ring should not sit deeper than 1/2" below the Top Lip of the bowl.

1. Using 1/4" Pea Gravel, fill the lower area of the bowl to 1/2" below the Top Lip of the bowl.
2. Place the Fire Ring on top of Pea Gravel, making sure it is centered.
3. Top the bowl with Fire Glass or Lava Rock.

### Manual Light



### Remote Module AEWIS



Concrete bowls are formed with fiber reinforced concrete with a water sealer additive and color all through the bowl. Cured for strength and durability.

**Concrete Fire Bowl  
Tuscany  
30"**

Dimensions are in Inches

Size

File No.

**TUS3013**

Rev

2 / 13 / 2014

Scale 1:8

Drawn: Edward Morgan

Sheet1

